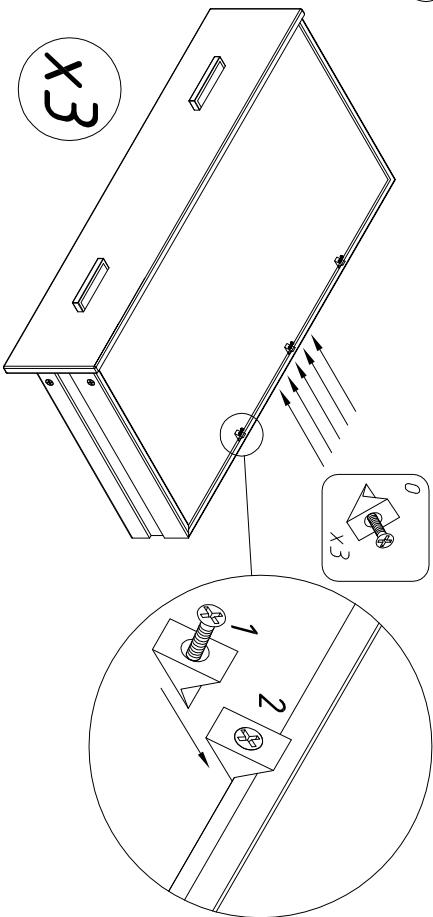
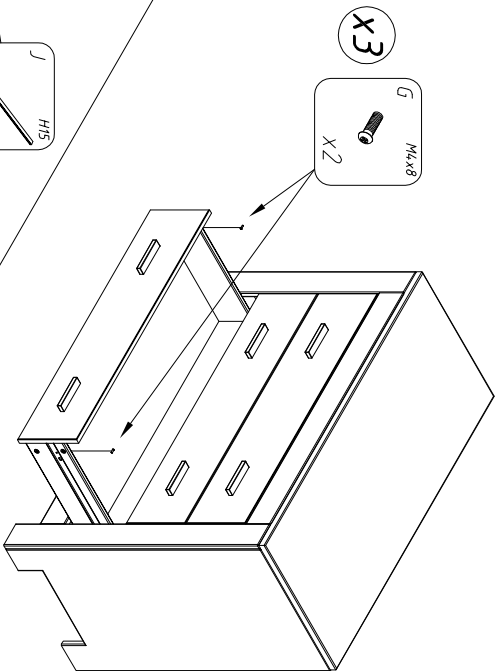


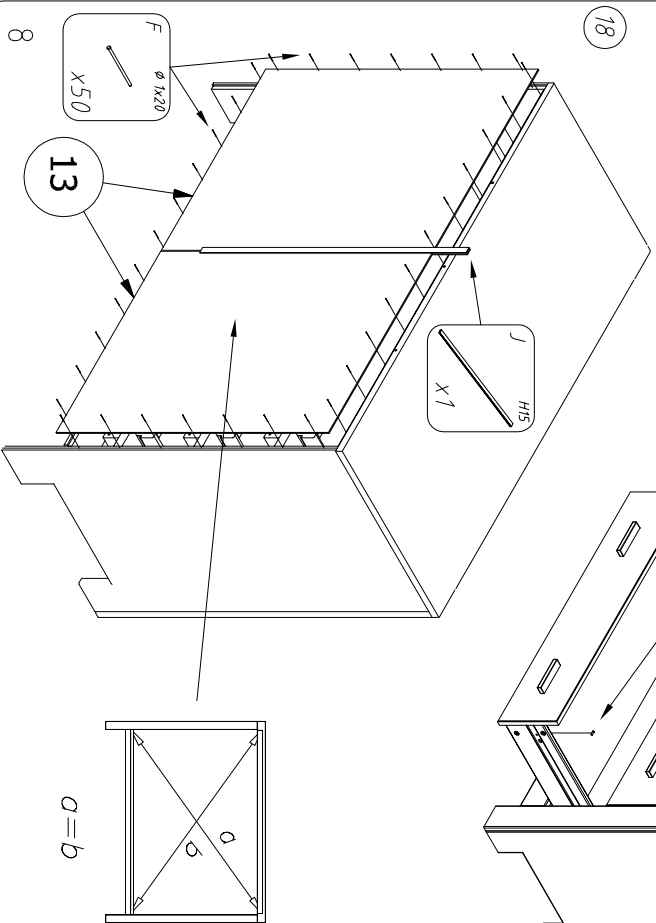
16



17



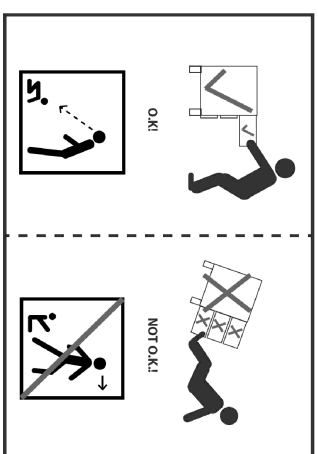
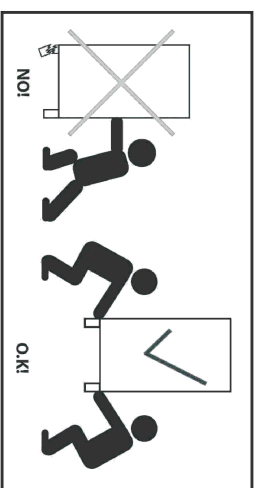
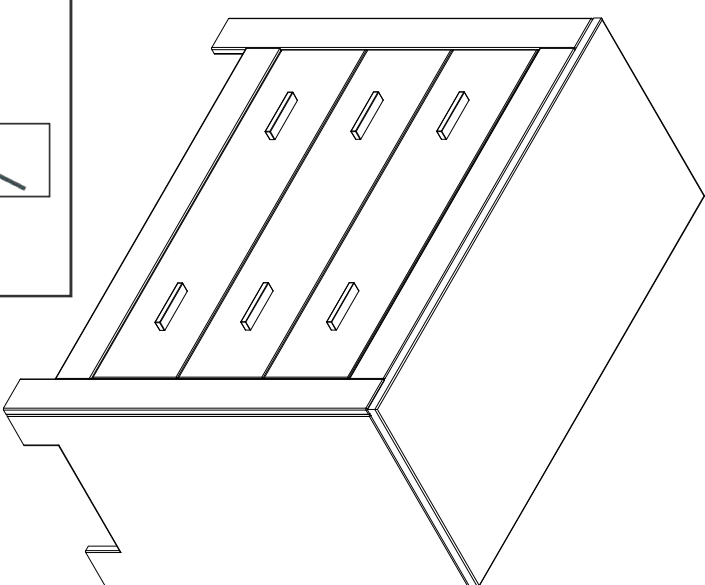
18



8






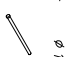


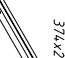





Instruction Manual

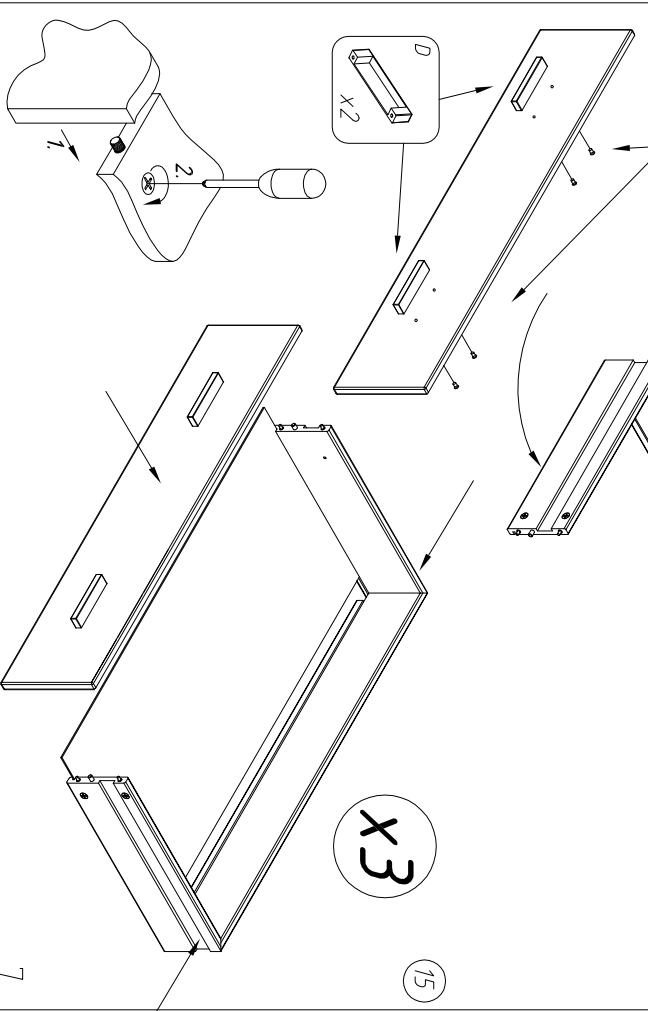
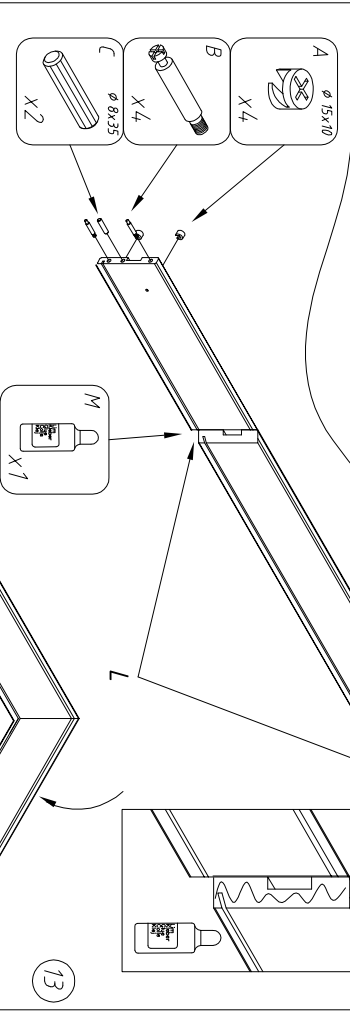
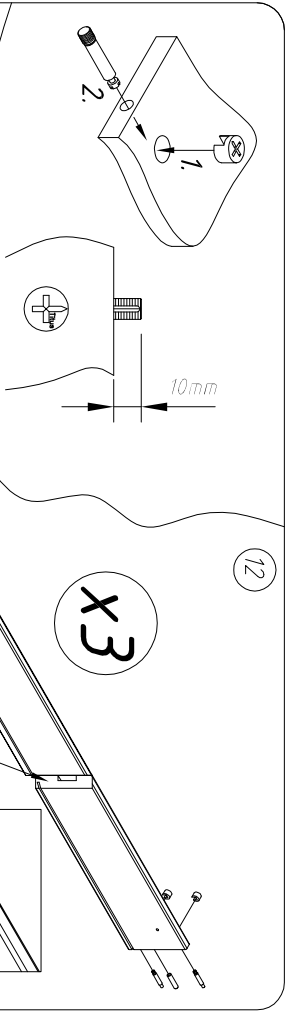
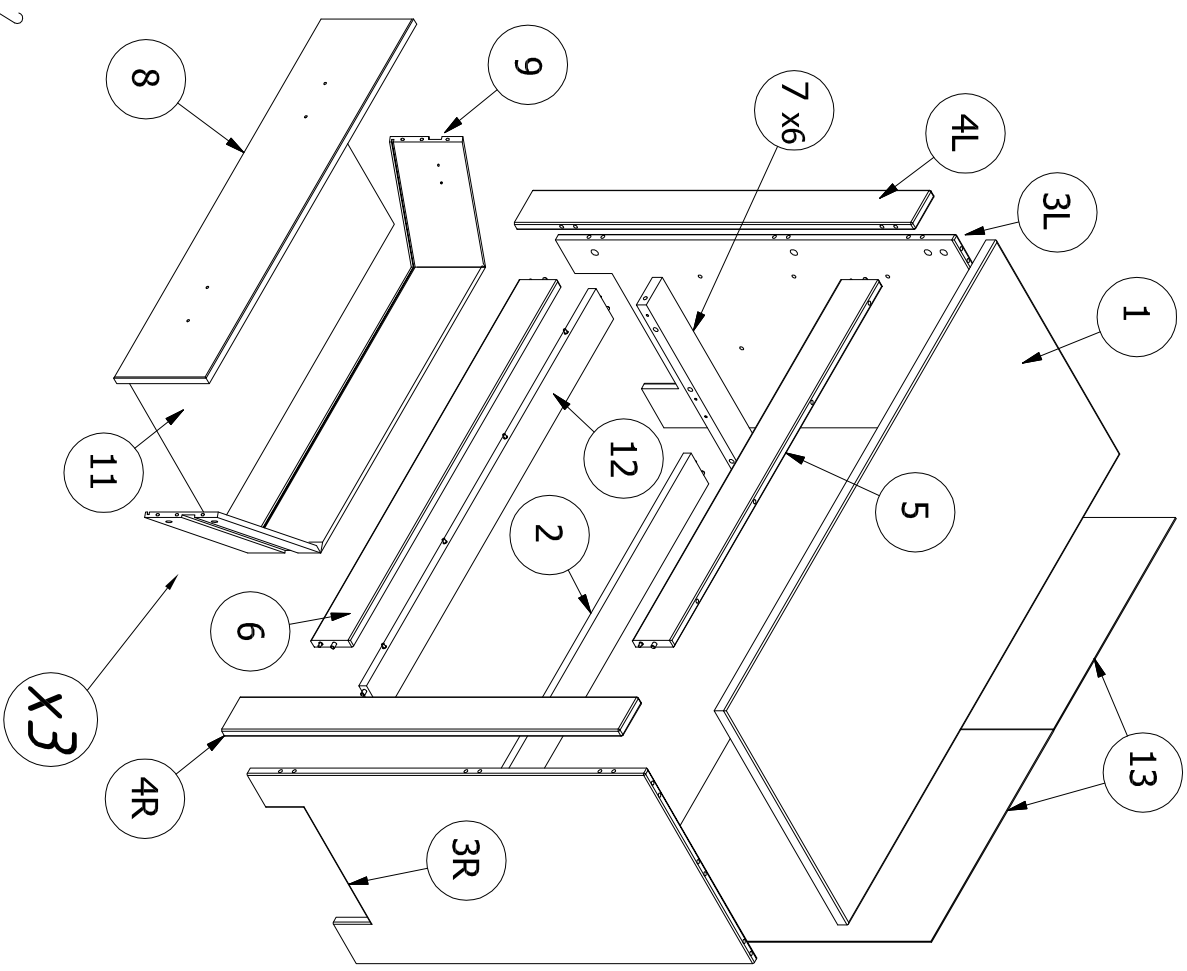
**Cobi**  
DRESSER  
175311

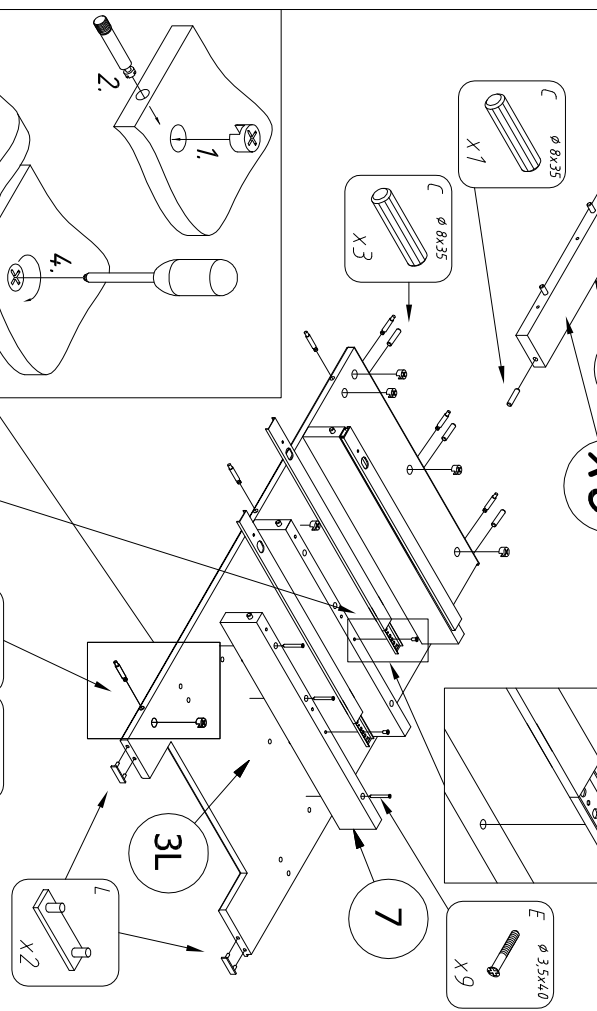
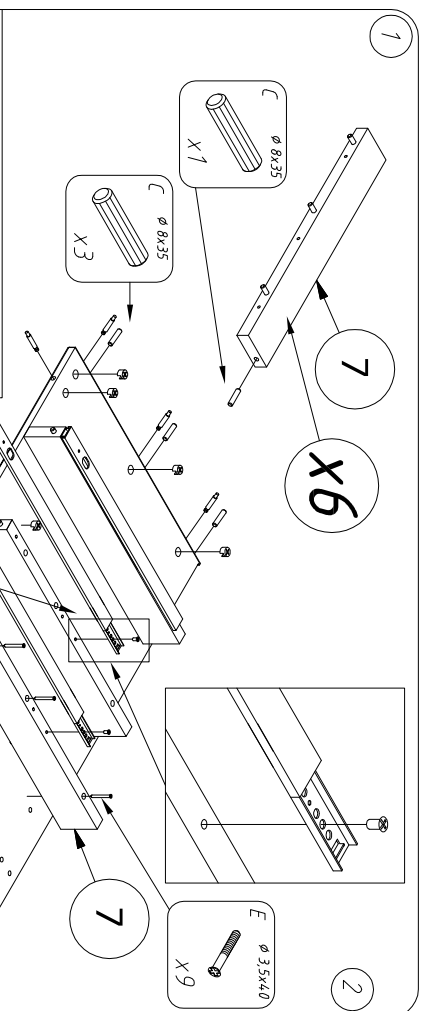
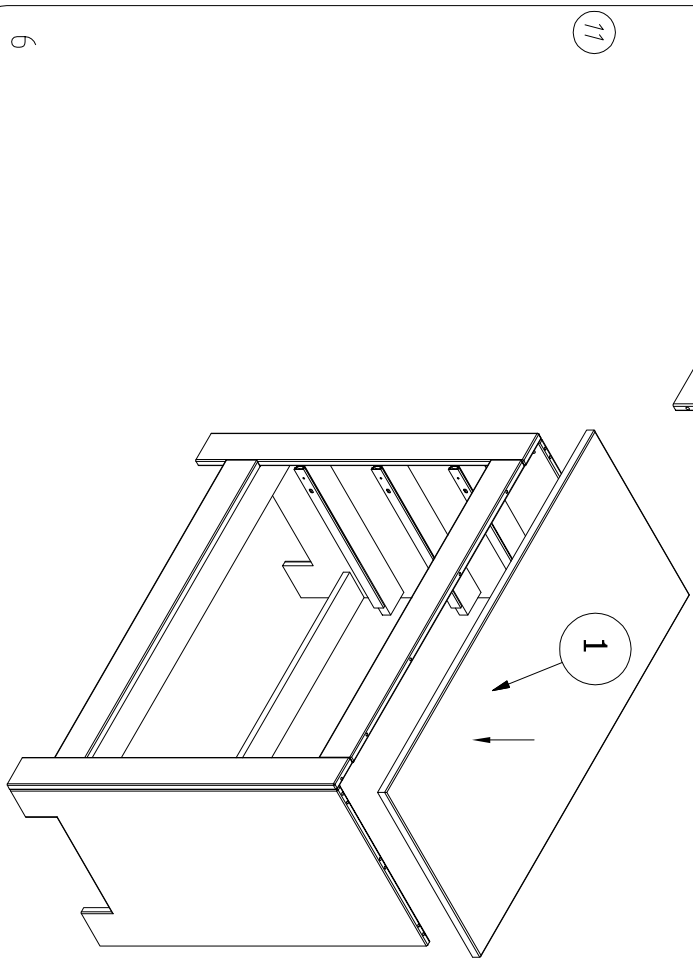
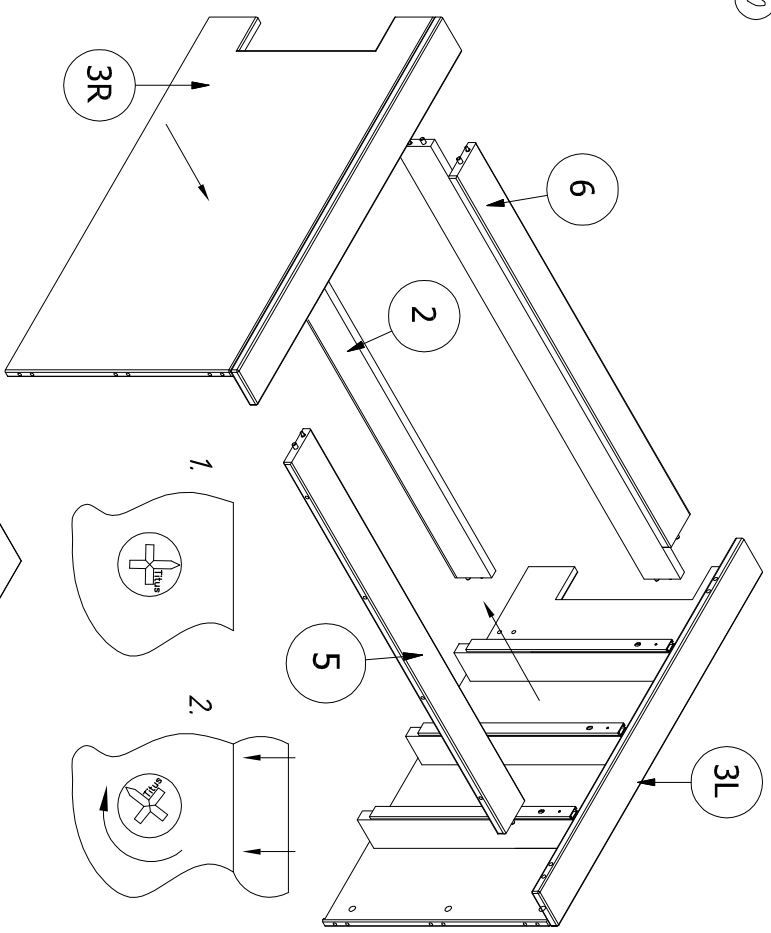


DISTRIBUTOR:  
**BOPITA**  
Edisonweg 3, 6662 NW Elst  
The Netherlands  
[www.bopita.com](http://www.bopita.com)

05.12.2013.

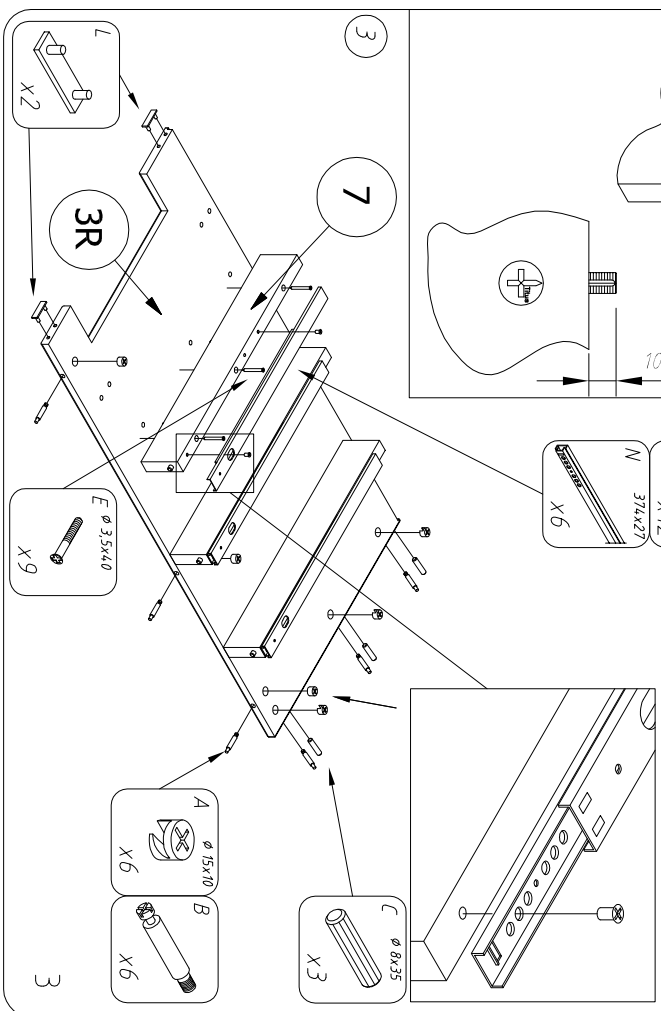
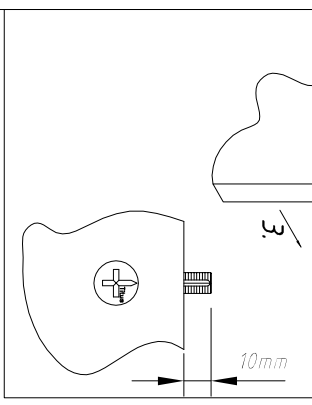
- A  X4,0
- B  X4,0
- C  X2,6
- D  X6
- E  X1,8
- F  X5,0
- G  X6
- H  X1,2
- N  X6
- J  X1
- K  X1,2
- L  X4
- M  X1
- O  X9



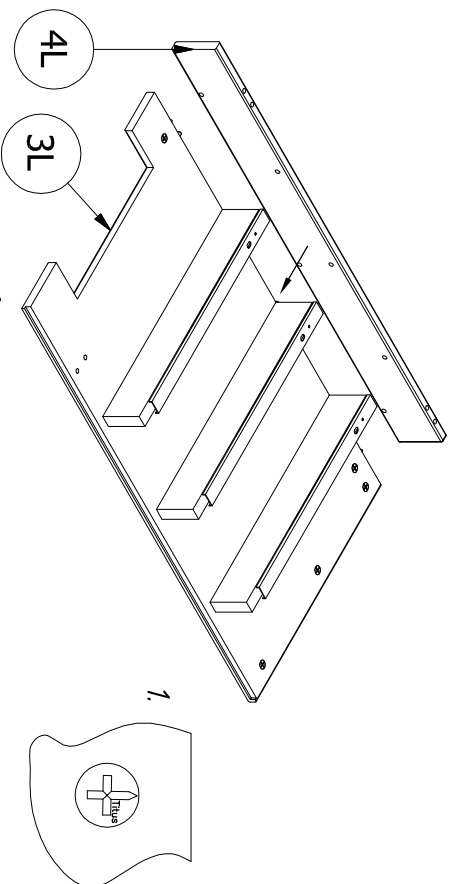


- H Ø 6,3x11,5 X 12
- N 3714x27 X 6

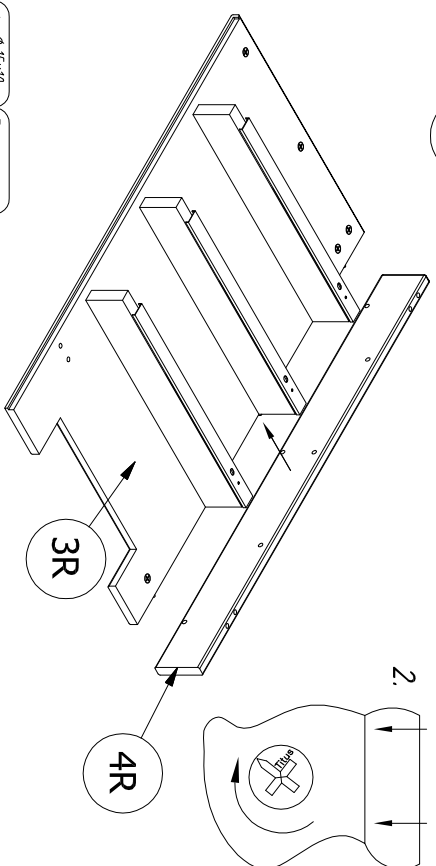
- A Ø 15x10 X 6
- B X 6



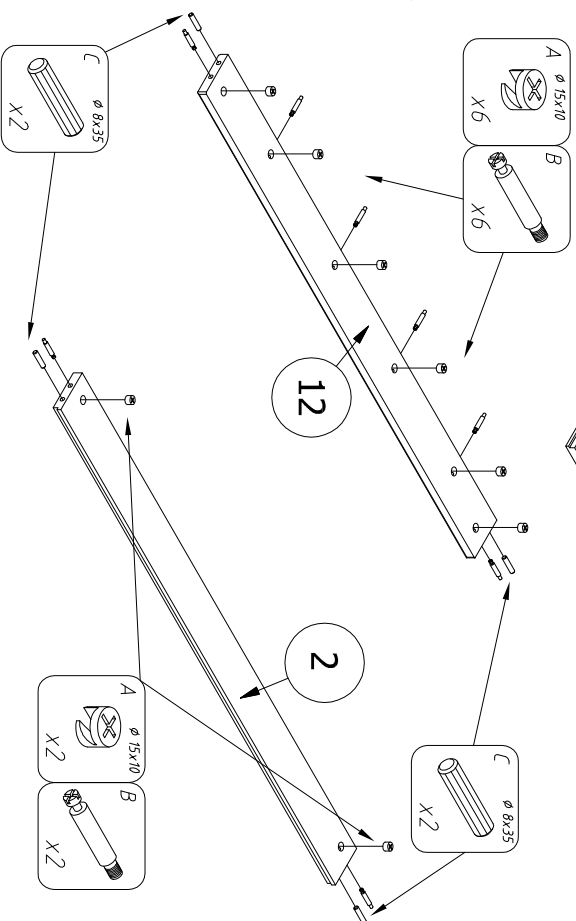
4



5

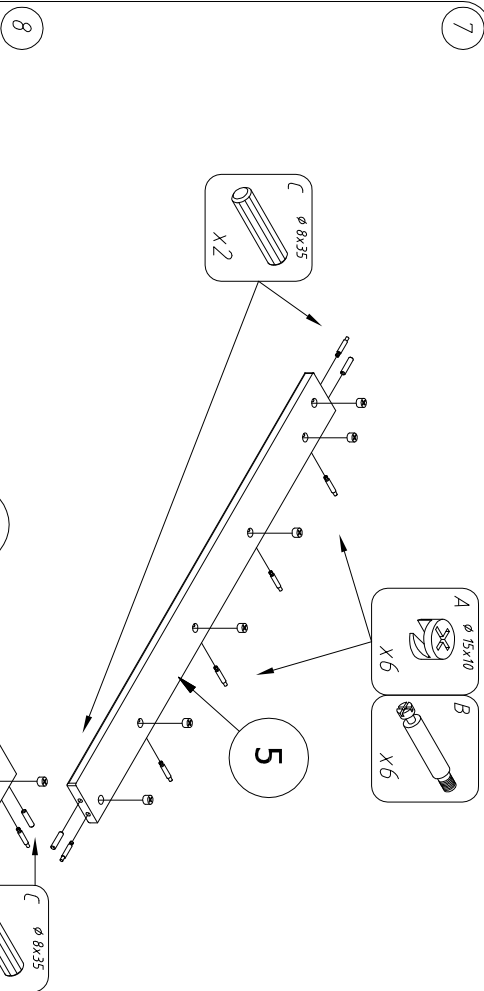


6

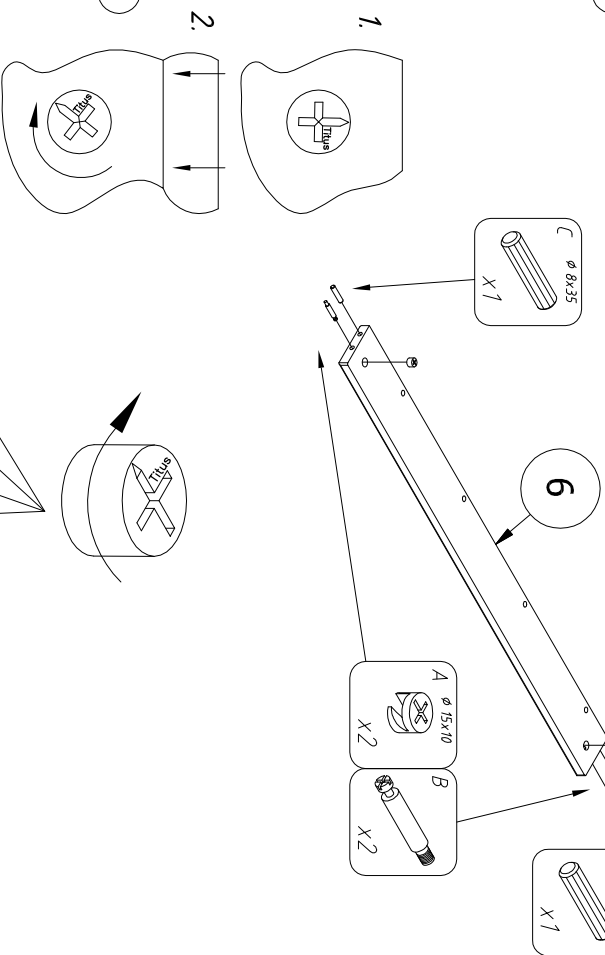


4

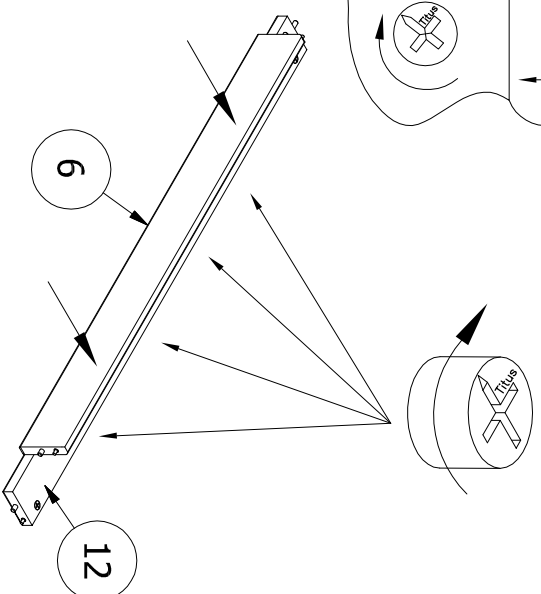
7



8



9



5